

# ELMCO

## ENGINEERING, INC.

*Engineered solutions for all your pressing needs.*

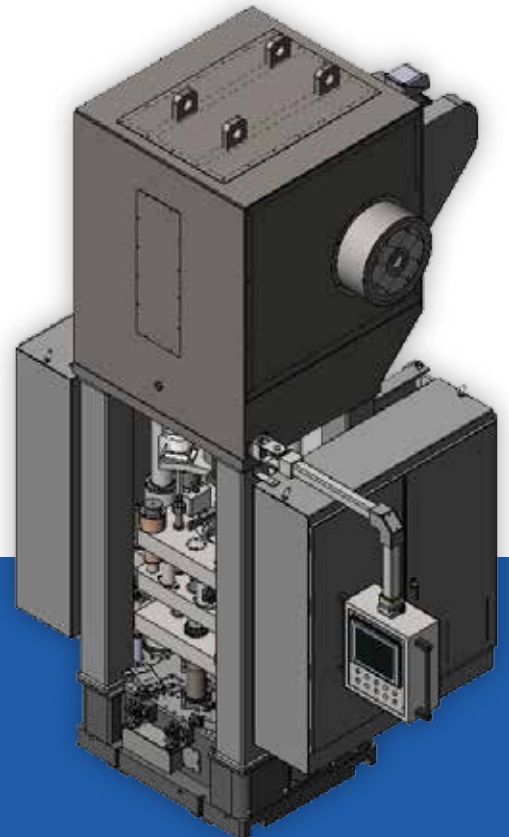
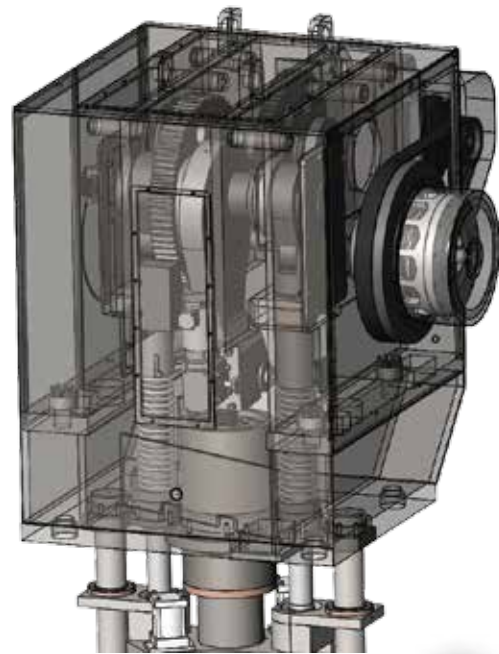
### 3D Solid Modeling Press Design

At ELMCO, the press design process is streamlined by **utilizing the latest in 3D solid modeling design.**

Precision components are manufactured and assembled in-house to create **industrial machinery used worldwide.**

Powdered metal presses are used in many industries to **efficiently and effectively produce** high-precision components used every day by consumers worldwide.

New and refurbished compacting presses require a **wide range of design and manufacturing capability and flexibility.**



**ELMCO Engineering, Inc.**

6107 Churchman Rd. By-pass

Indianapolis, IN 46203

317.788.4114 • [www.elmco-press.com](http://www.elmco-press.com)